

# C Range undercounter GLASSWASHER



## C502D

### Maidaid **C502D** Features

- **2 year warranty**
- Four button bright LED display with soft touch controls, twin traffic lights giving instant status updates & operational self-diagnostics



- Alarms menu with hi-level information retrieval
- Quick release parallel wash & rinse arm design
- Surface scrap trays as standard
- Three standard cycle time options with further options available
- Cycle times can be tailored to site requirements
- Automatic self-cleaning at end of service
- Selectable energy saving mode
- Selectable thermostop ensures optimum rinse temperatures
- Patented dual flow wash pump - reducing power consumption whilst retaining wash efficiency
- Moulded wash tank for easy cleaning
- Moulded rack guide giving partial double skin
- Drain pump as standard
- Accurate detergent & rinse aid dosing pumps as standard

Gravity drain version  
available: **C502**



Supplied with two open cup/glass racks (capable of holding 25 pint glasses).

Additional racks can be purchased at point of order: **Z972001**



# C Range undercounter GLASSWASHER

## C502D



### Technical Data

Dimensions (W x D x H)	mm	580 x 610 x 810 + Feet
Feet height	mm	10-20
Rack size	mm	500 x 500
Maximum useable height	mm	340
Door opening	mm	365
Theoretical productivity	Racks/h	51
Effective productivity	Racks/h	36*

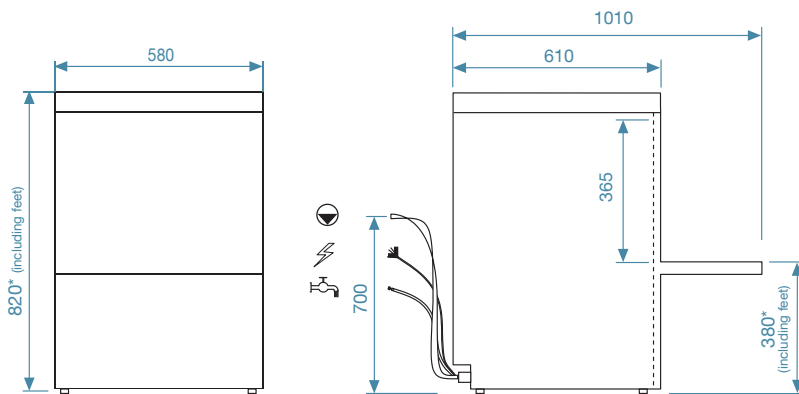
Wash tank element	kW	2.1
Boiler element	kW	6
Wash pump	kW	0.47
Tank capacity	L	20
Noise emission	dB	< 55

### Packaging Specs

Gross weight	Kg	61
Cubic volume	m³	0.45
Dim. (W x D x H)	mm	670 x 690 x 980

\*Allowing 30 seconds for reloading  
Cycle times may vary depending on local conditions/services

### Installation Diagram – All services must be within 1 meter



\*Height-adjustable feet + 10mm

### Power Supply

Installed power	AMP	kW
230V – 50Hz – 1N	13	2.6
	20	4.5
	30*	6.5
Optional 3 Phase config	Total load 6.5kW	
Fused	16 amp	

\*Standard configuration

Pumped waste into upstand, maximum height 700mm

Power  
Water supply 2 – 4 bar

### Water Connection

Inlet water pressure	Bar	2 to 4
Flow rate L/Min	L/Min	6
Water inlet temp	°C	10 to 50
Water connection	BSP	¾"
Waste connection	Ø	Int 19/ext 24

### Cycle Information

Number of standard cycles		3
Standard cycles times	Sec	70/90/180 – adjustable
Special cycle		Eco, Glass, Long
Self-cleaning cycle		Full self drain
Water consumption per cycle	L	2
Wash temperature	°C	60 – adjustable
Rinse temperature	°C	65 – adjustable